

FIXTURE SPECIFICATIONS

INTENDED USE

The specification grade Alcon Lighting Aniston Architectural LED Post Top Light Fixture is designed to work in building perimeter areas and public spaces to compliment a wide variety of architectural styles. LED Area Lights provide high light efficiency with varying light distributions. Outdoor Post Lights create a nostalgic atmosphere and are best applied in parking lots, plazas, shopping malls, gardens, roadways, and areas with pedestrian activity.

FEATURES

Construction: Die Cast Aluminum Housing. Die Cast Aluminum Sleeve, 2-3/8" (60mm) or 3" (76mm) Diameter Pole.

Pole Not Included, Supplied by Others.

Lens: Clear, Heat Resistant, Polycarbonate Lens

Voltage: 100-277V

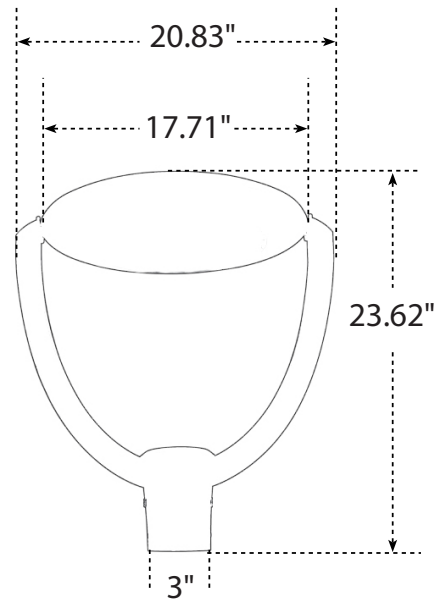
Color Temperature: 5000K

Beam Spread: 120° Distribution

Warranty: 5 Years Carefree for Parts & Components (Labor Not Included)

Listing: UL, DLC

Pole supplied by others



ORDERING INFORMATION Example: (11408-75W-3P)

| Model | Wattage Lumens | Options |
|--------------|--|------------------------------------|
| 11408 | 75W 75 Watts 9750 Lumens 150W 150 Watts 19,500 Lumens | PC3 Photocell - Button Type |